

FOR SUBDUED INSIGNIA

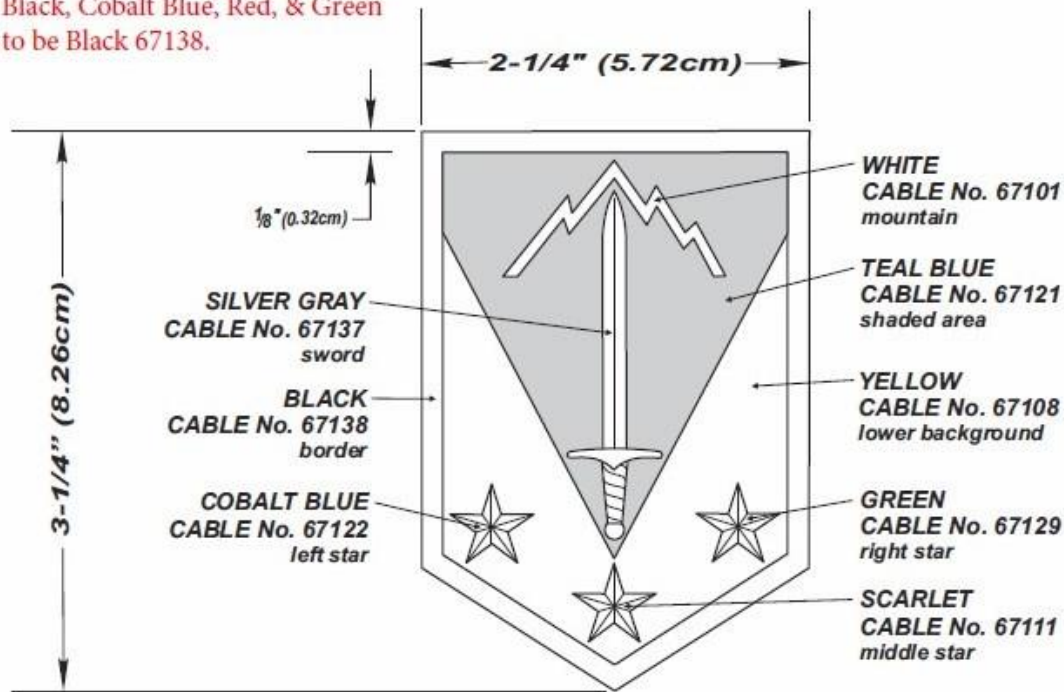
ACU:

YELLOW, WHITE AND SILVER GRAY
AREAS TO BE FOLIAGE GREEN 67202.
TEAL BLUE, BLACK, COBALT BLUE, RED
& GREEN AREAS TO BE BLACK 67138.

ACU-OCP: Yellow, White & Silver Gray
areas to be Bagby Green 67204. Teal
Blue, Black, Cobalt Blue, Red, & Green
areas to be Black 67138.

REVISIONS

LTR	DESCRIPTION	DATE	APPROVED
B	STITCH COUNT ADDED.	17 NOV 2009	pm SAO <i>Charles V. Mugno</i> CHARLES V. MUGNO DIRECTOR



DESIGNED FOR OVEREDGE STITCHING

STITCH COUNT

**5270 STITCHES (minimum)
90/2 DENIER
12/4 SPAN**

UNLESS OTHERWISE SPECIFIED DIMENSIONS ARE IN INCHES TOLERANCES ON FRACTIONS DECIMALS ANGLES

MATERIALS:
TO BE MANUFACTURED IN ACCORDANCE WITH MIL-DTL-14652

EXAMINED	TLC	
CHECKED	pm	SAO
PREPARED	SAL	
APPROVED	<i>Charles V. Mugno</i> CHARLES V. MUGNO DIRECTOR	

THE INSTITUTE OF HERALDRY, DEPARTMENT OF THE ARMY
9325 GUNSTON RD, RM S-113 FORT BELVOIR, VA 22060-5579

SHOULDER SLEEVE INSIGNIA

**3D MANEUVER ENHANCEMENT
BRIGADE**

SIZE	CONTROL IDENT. NO	A-1-1006
A	22571	
SCALE	DATE	
FULL	22 JULY 2009	